

Ordering Code: **LP-11A-X-Y-Z**

22.2 Hex. (7/8 inch)

Port ③

M20X1.5

Port ②

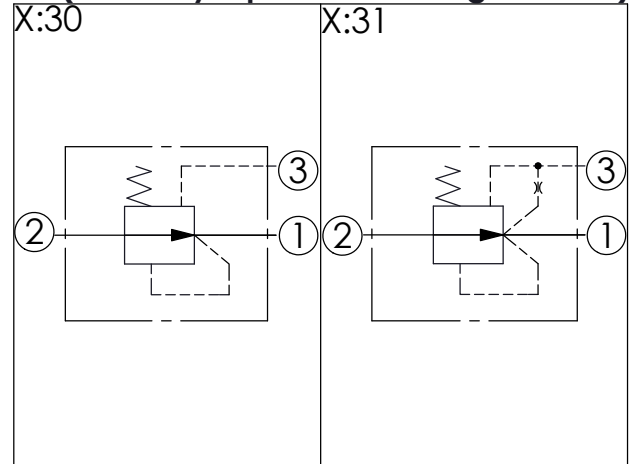
Port ①

30

35.1

Locating Shoulder

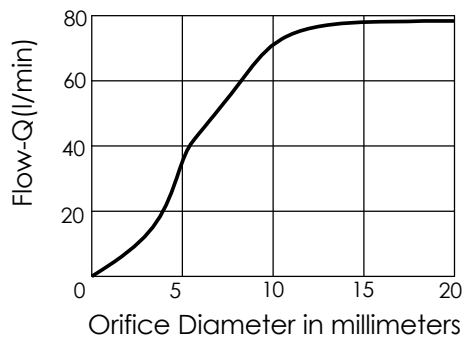
UNIT:mm



TECHNICAL DATA

| | | |
|----------------------|-------|-------|
| Max. pressure: | 350 | bar |
| Rated flow: | 60 | l/min |
| Cavity-Tooling: | 11A-3 | |
| Installation torque: | 40-50 | Nm |
| Weight: | 0.13 | kg |

X:30 Capacity as a Restrictive Compensator



X OPERATION

| | |
|-----------|---|
| 30 | External Pilot (restrictive compensator) |
| 31 | Internal Pilot Port 1 to Port3 (mainstage reducing element) |

Y

SPRINGS

Cracking pressure

| | |
|------------|----------|
| 35 | 3.5 bar |
| 70 | 7.0 bar |
| 100 | 10.0 bar |
| 140 | 14.0 bar |

Z

OPTION

| | |
|----------|----------------|
| N | Non-adjustable |
|----------|----------------|