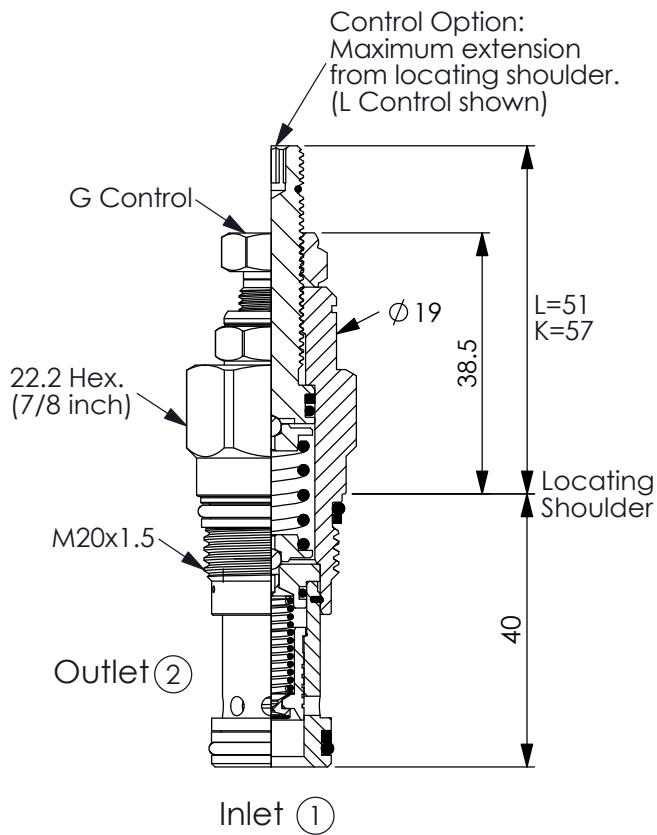
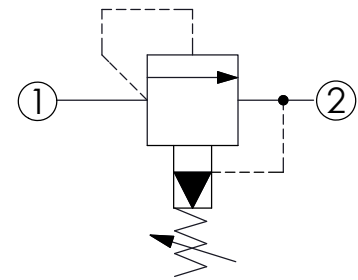
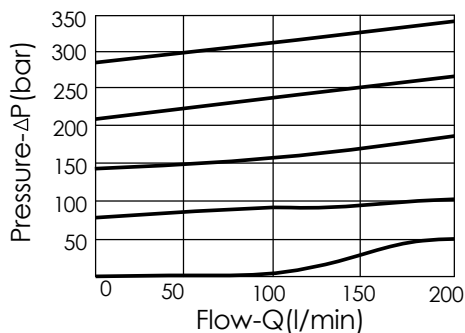


Ordering Code: **RP-10A-X-Y-Z**



UNIT:mm

Typical Pressure Rise



### TECHNICAL DATA

Max.Operating pressure:	350 bar
Rated flow:	95 l/min
Cavity-Tooling:	10A-2
Installation torque:	40-50 Nm
Weight:	0.14 kg

Will accept maximum pressure at port 2; suitable for use in cross port relief circuits. If used in cross port relief circuits, consider pool leakage.

### X OPERATION

**20** 1 to 2 (P to T)

Response Time-Typical (10 ms)  
Maximum Leakage (33 cc/min./70 bar)

### Z OPTIONS

<b>L</b>	Leakproof hex. socket screw.	
<b>LF</b>	Leakproof hex. socket screw with Panel Mount.	
<b>K</b>	Handknob with Lock Knob.	
<b>KF</b>	Handknob with Panel Mount.	
<b>C</b>	Stainless Steel Tamper Resistant Cover.	
<b>G</b>	Wrench Adjustment	

### Y SPRINGS

#### ADJUSTMENT RANGES

<b>A</b>	7 to 210 bar (70 bar Standard Setting)
<b>B</b>	3.5 to 105 bar (70 bar Standard Setting)
<b>C</b>	10 to 420 bar (70 bar Standard Setting)
<b>D</b>	1.7 to 55 bar (28 bar Standard Setting)
<b>E</b>	1.7 to 28 bar (14 bar Standard Setting)
<b>N</b>	4 to 55 bar (28 bar Standard Setting)
<b>Q</b>	4 to 28 bar (14 bar Standard Setting)
<b>W</b>	10.5 to 315 bar (70 bar Standard Setting)