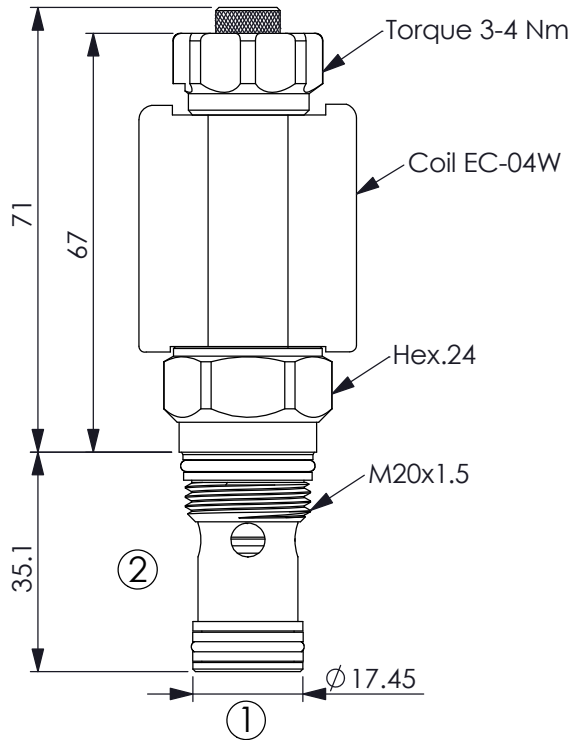
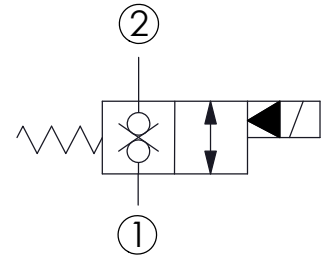


Ordering Code: **EP-13A-X-Y-Z-05**



UNIT:mm



TECHNICAL DATA

Max.Operating pressure: 350 bar

Rated flow: 40 l/min

Cavity-Tooling: 13A-2

Installation torque: 25-35 Nm

Weight: 0.14 kg

Fluids-Temperatures: -40~120 °C

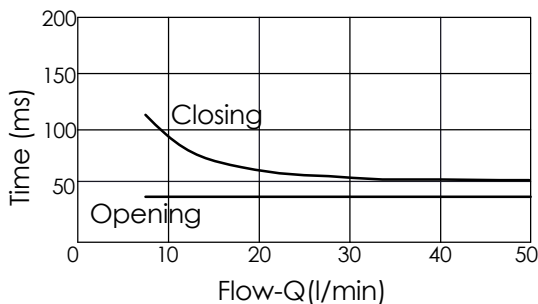
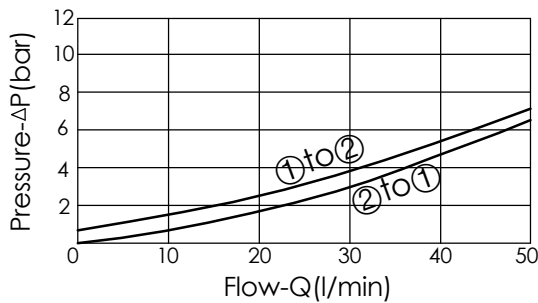
Internal Leakage: 0.15cc/minute
(3 drops/minute) max.at 350 bar

Filtration: 25 µm nominal or better

Minimum Voltage Required:
90 % of nominal

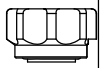
Coils must be ordered separately

Mounting Position: unrestricted



Y	OPERATION
31	Normally-Closed Double Lock

X	STRUCTURE
2A	2 Ports \ 20 Watt. Coil

Z	OPTIONS
N	Non-adjustable 
M	Screw-out Knob Style 