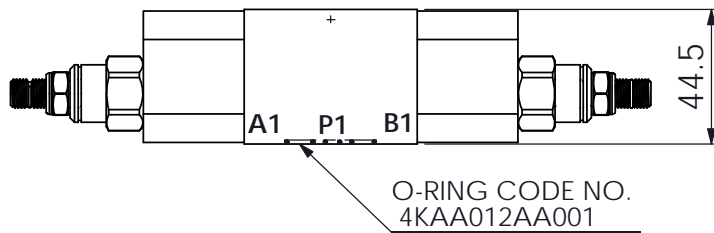
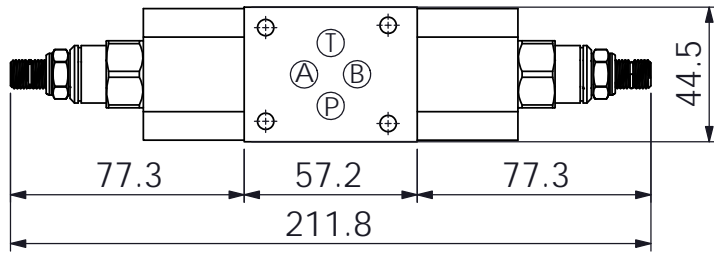
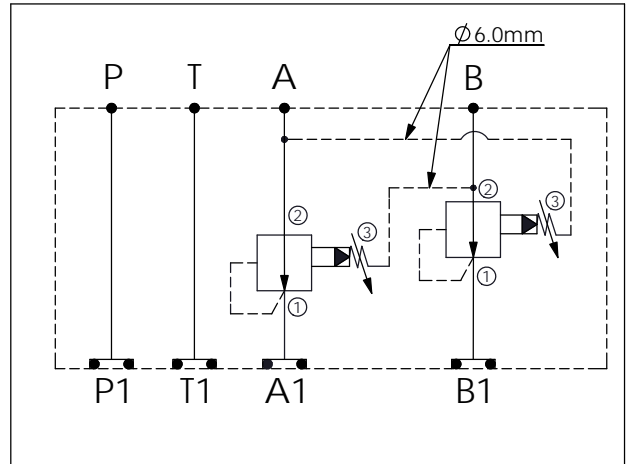
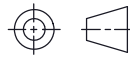


Ordering Code: MH03CDW-X-Y-Z 01
Stack Height : 44.5mm



UNIT:mm



TECHNICAL DATA

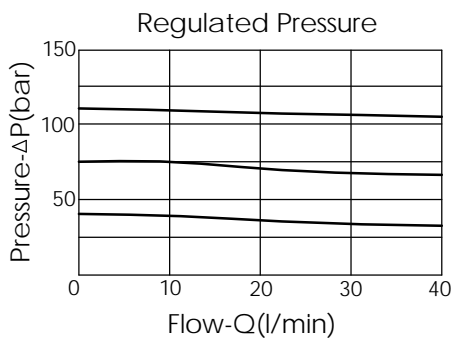
Aluminum Body Pressure Rating: 250 bar
 Ductile Iron Body Pressure Rating: 350 bar

Rated flow: 40 l/min

Cartridge Valve:
 Refer to PB11A-X-Y-Z
 * Refer to Winner Cartridge Valves Catalog.

Aluminum	0.5 kg(WITHOUT VALVES) 0.85 kg(INCLUDE VALVES)
Ductile Iron	1.3 kg(WITHOUT VALVES) 1.65 kg(INCLUDE VALVES)

* If you need the special specification. Please contact us.



X SELECTION FOR A PORT CONTROL

11A3	CAVITY ONLY(WITHOUT VALVE)
PB0A	PB11A30AL (40LPM ,7-210bar)

Y SELECTION FOR B PORT CONTROL

11A3	CAVITY ONLY(WITHOUT VALVE)
PB0A	PB11A30AL (40LPM ,7-210bar)

Z BODY MATERIAL

A	HIGH-STRENGTH ALUMINUM
S	DUCTILE IRON