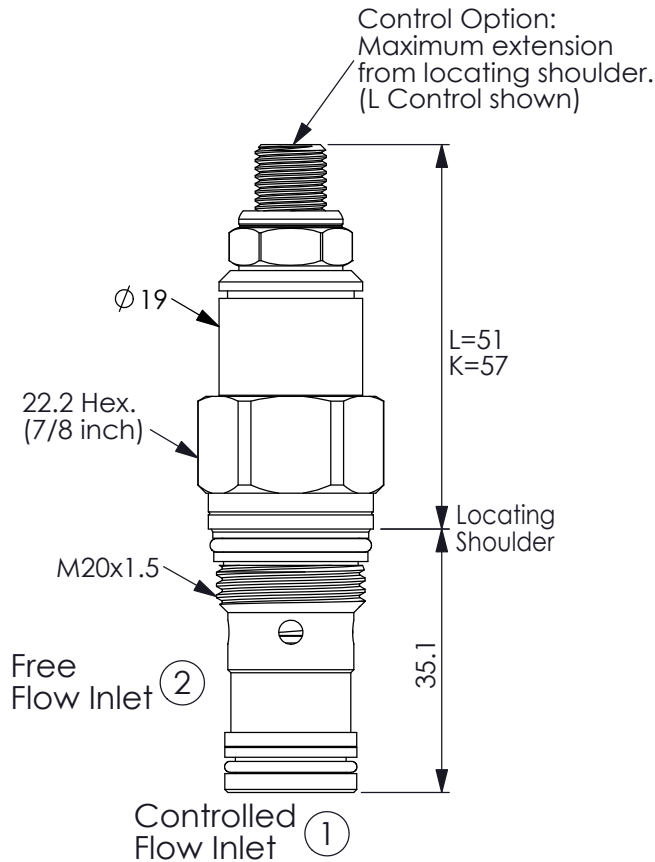
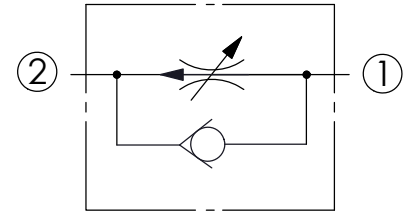


Ordering Code: **FR-13A-X-Y-Z**



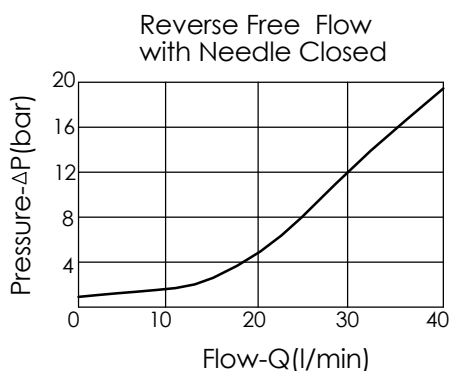
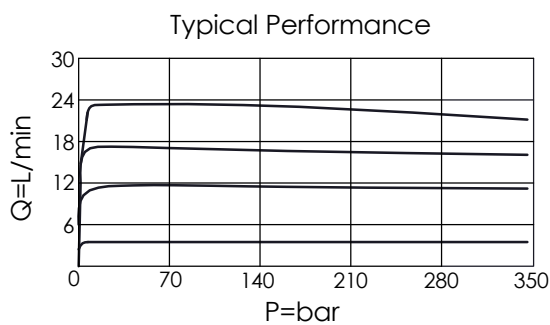
UNIT:mm



TECHNICAL DATA

Max. pressure:	350	bar
Rated flow:	23	l/min
Cavity-Tooling:	13A-2	
Installation torque:	40-50	Nm
Weight:	0.14	kg

Accurate pressure compensated control requires that a 200 psi (14 bar) minimum pressure differential be maintained across the valve.



X OPERATION

20 Standard Type

Y FLOW SETTING

A 0.4 to 23 LPM

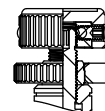
C 0.4 to 4 LPM

Z OPTIONS

L Leakproof hex. socket screw.



K Handknob with Lock Knob.



T Three-winged Handknob Kit.

